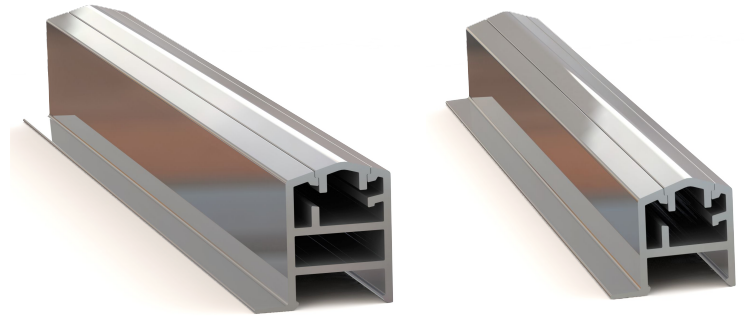
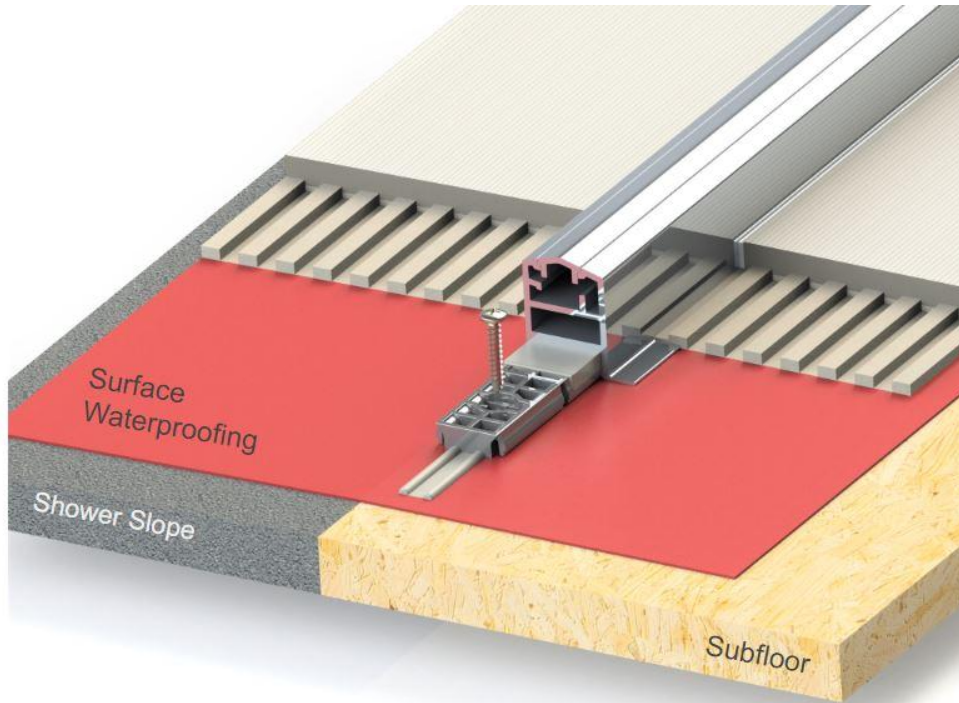


# ebbe **KERB**®

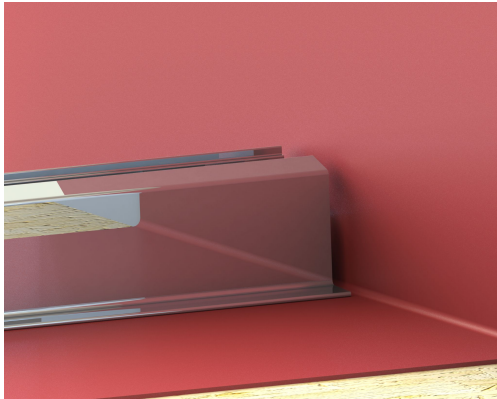
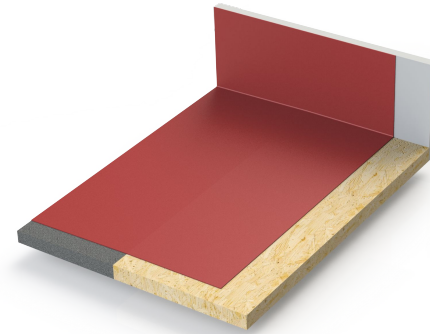
## INSTANT SHOWER CURBS



- Save time and frustration by eliminating the need to build, waterproof, and tile a “traditional” curb
- Allows shower doors to swing in or out
- Provides leak free mounting for glass enclosures. No more holes drilled through your waterproofing!
- Contemporary design with the function and security of a tiled shower curb.
- Low Kerb is ideal for ADA accessible showers

## Ebbe Low Kerb Installation Guide

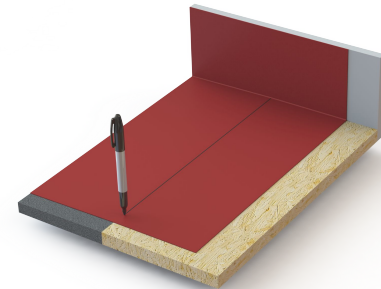
1.) Apply surface waterproofing (following manufacturers instructions) over the entire **shower floor and walls with** at least 6 inches into the non-shower area



2.) Cut Ebbe Kerb to fit from wall to wall leaving  $\frac{1}{8}$ " gap at each end (ex. If the space measures 40" the Kerb should be cut to  $39\text{-}\frac{3}{4}$ ")  
**Pro Tip:** To get an accurate measurement from wall to wall measure from the left wall and make a mark at 10", then measure the distance from the right wall to the mark you just made, and add 10" to that number.

*Example: After marking the floor at 10". The measurement from the other wall to the mark is  $32\ \frac{1}{2}$ ". You would cut the Kerb  $42\ \frac{1}{4}$ " length.*

3.) Chalk or draw a line on the floor where the Kerb will be located.  
Note: The Mounting bar sits back  $\frac{1}{16}$ " from the face of the Kerb.  
**Pro Tip:** The Kerb can be used as a straight edge to mark the floor

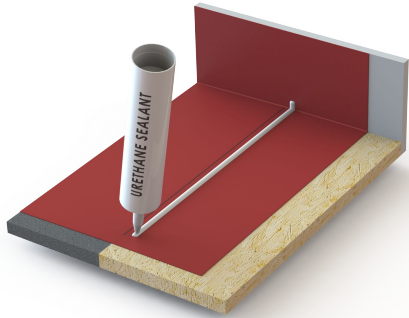


4.) Lay out Mounting Bars along the line and cut final Mounting Bar as needed. (keep at least two Mounting Holes in cut Mounting Bar)

4a. If attaching to concrete, mark the hole locations and drill a 15/64" holes and install the concrete anchors.

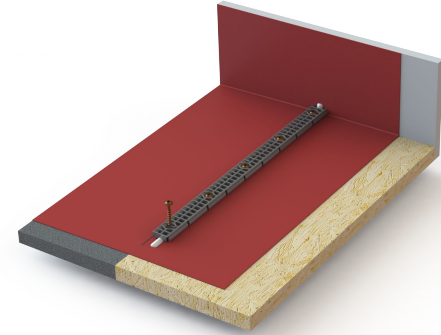
**WARNING:** Do not connect the Kerb to the Mounting Bars yet!

Once attached you will be able to adjust the Kerb side to side, but not remove the Kerb.



5.) Apply a continuous bead of sealant 1/2" from the line you made previously

Bed the Mounting Bars into the sealant and fasten them to the floor using all holes. Adjust the Mounting Bars as needed so they are in a straight line.



Mounting Bar Profile

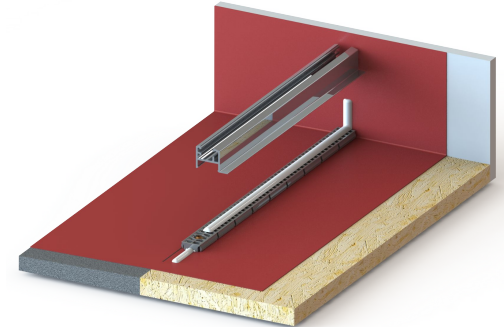


(floor side)

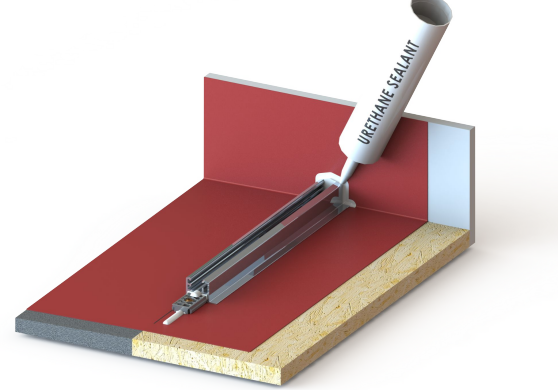
**WARNING:** Install the Kerb when the sealant is wet. If the sealant dries before installing the KERB, it will harden making it impossible for the KERB to fit over to the Mounting Bars.

6.) After the Mounting Bars are attached to the substrate. Apply a generous bead of sealant to the top of the fastened Mounting Bars and up each wall 1".

Install the Kerb: Starting at one end of the Mounting Bars begin to push the Kerb down over the Mounting Bar until it "clicks" into place.

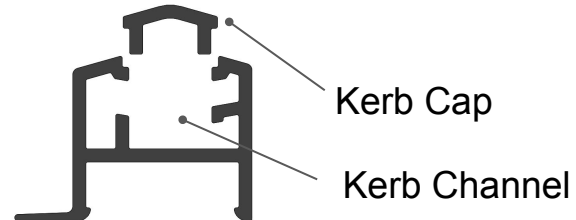


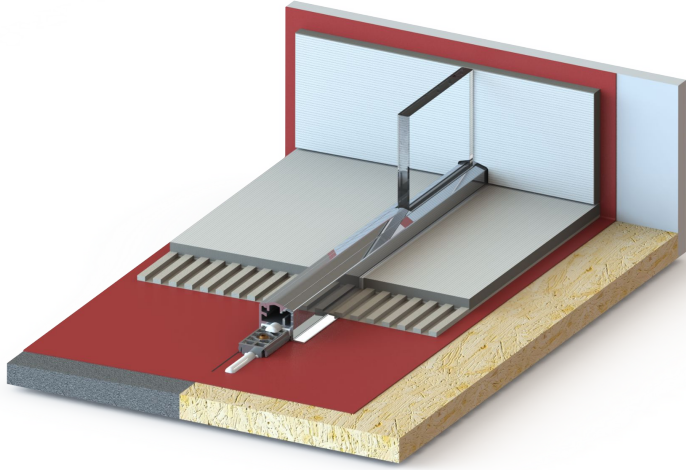
7. Apply sealant between the end of the Kerb and the waterproofed wall. Remove any excess sealant that might interfere with the Kerb Cap or glass installation.



8. Install tile at floors and walls.

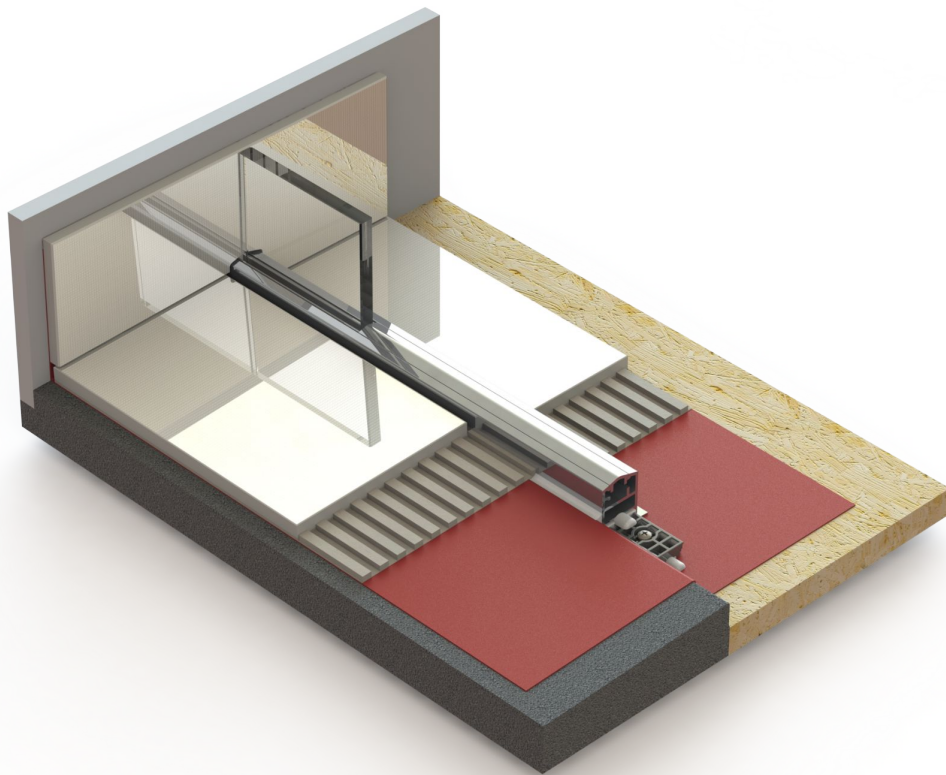
9. Glass Installation: Ebbe Kerb comes with Glass Supports that align and cushion  $\frac{3}{8}$ " glass within the Kerb Channel. Fold the Glass Support so that it forms a  $\frac{3}{8}$ " wide "U" Shape. If it is not  $\frac{3}{8}$ " wide, fold it back the other direction.





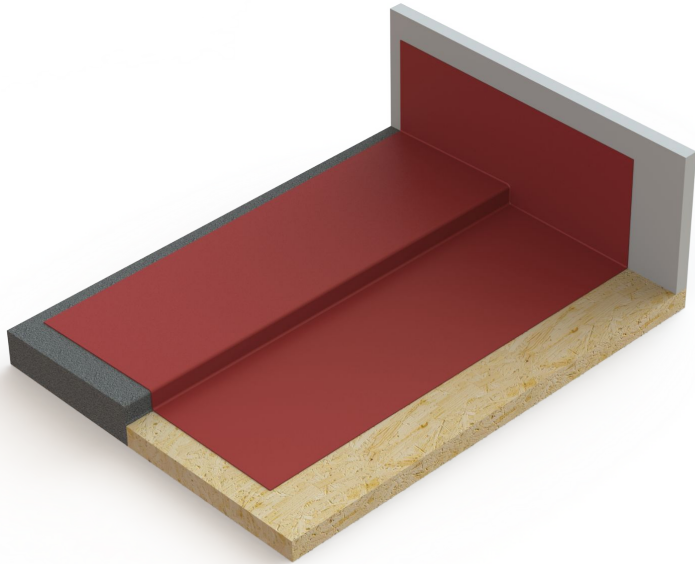
10. Kerb Cap installation:  
Kerb Cap should be installed after glass, if no glass is to be installed, use a small amount of sealant to secure the Kerb Cap in place. Remove any excess sealant.

## Ebbe Medium Kerb Installation Freedom



- Allows the shower floor to be higher than the bathroom floor.
- Helps eliminate the need for costly structural framing changes
- Shower can be up to 2' larger by providing an additional ½" of vertical fall
- Save time and frustration by eliminating the need to build, waterproof, and tile a "traditional" curb
- Allows shower doors to swing in or out
- Provides leak free mounting for glass enclosures. No more holes drilled through your waterproofing!
- Contemporary design with the function and security of a tiled shower curb.

**Install the Medium Kerb as described above with a couple of exceptions.**



A.) Apply surface waterproofing (following manufacturers instructions) over the entire shower floor, walls, and along the outside of the slope with at least 6 inches into the non-shower area

B.) After connecting the Kerb to the Mounting Bars and applying sealant between the end of the Kerb and the wall.

Apply sealant between the shower floor slope and the Kerb.

