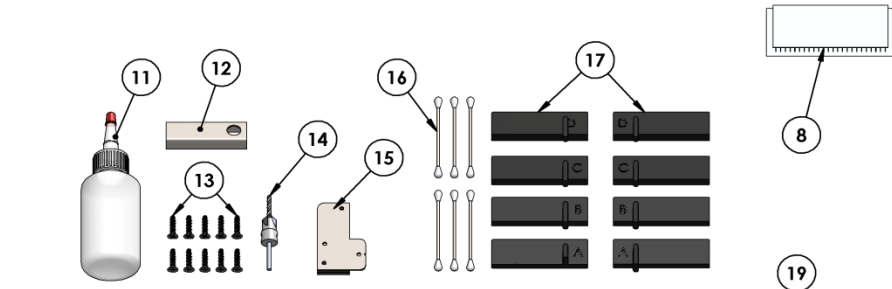
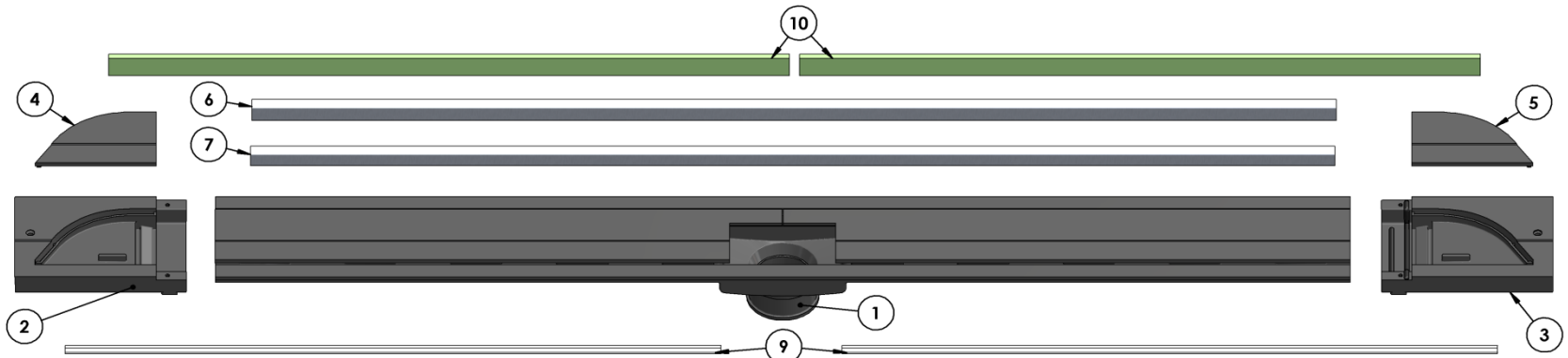
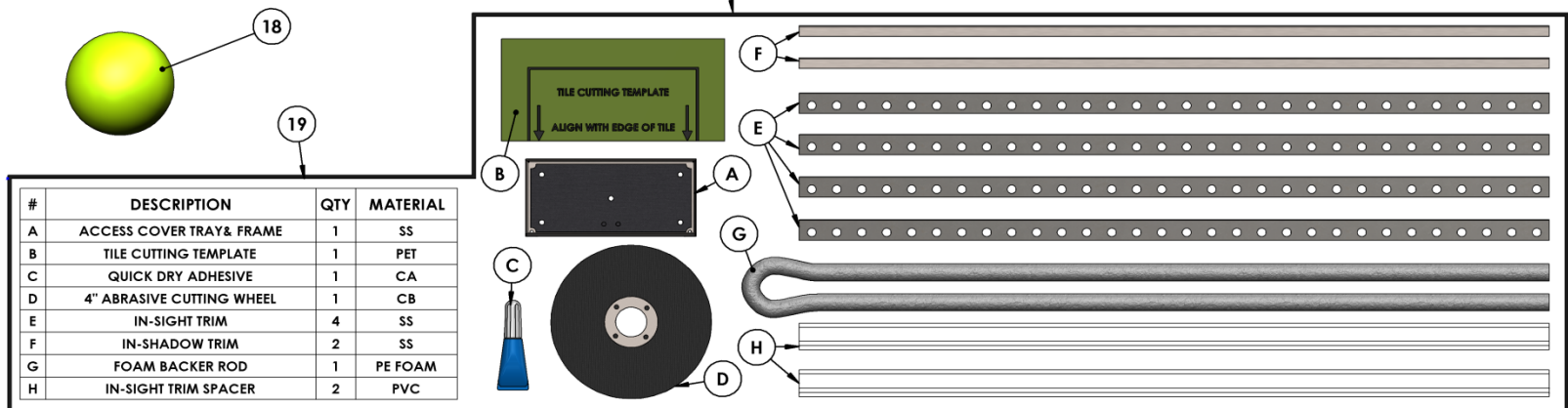


INNI LINE DRAIN DETAILS for E6100-25 E6100-38 and E6100-50

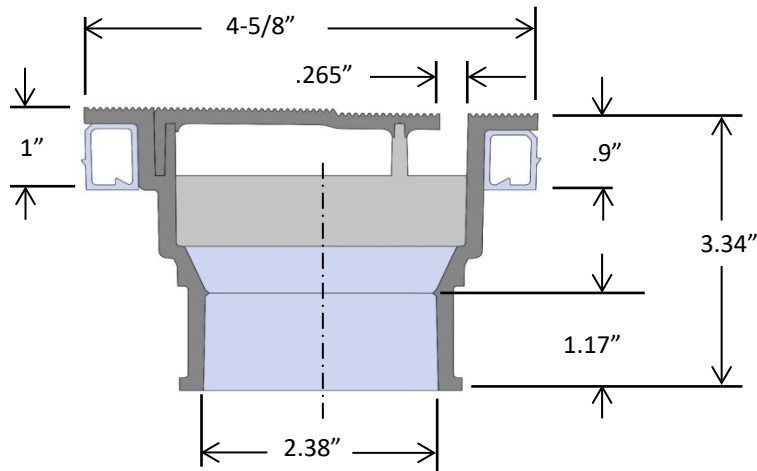
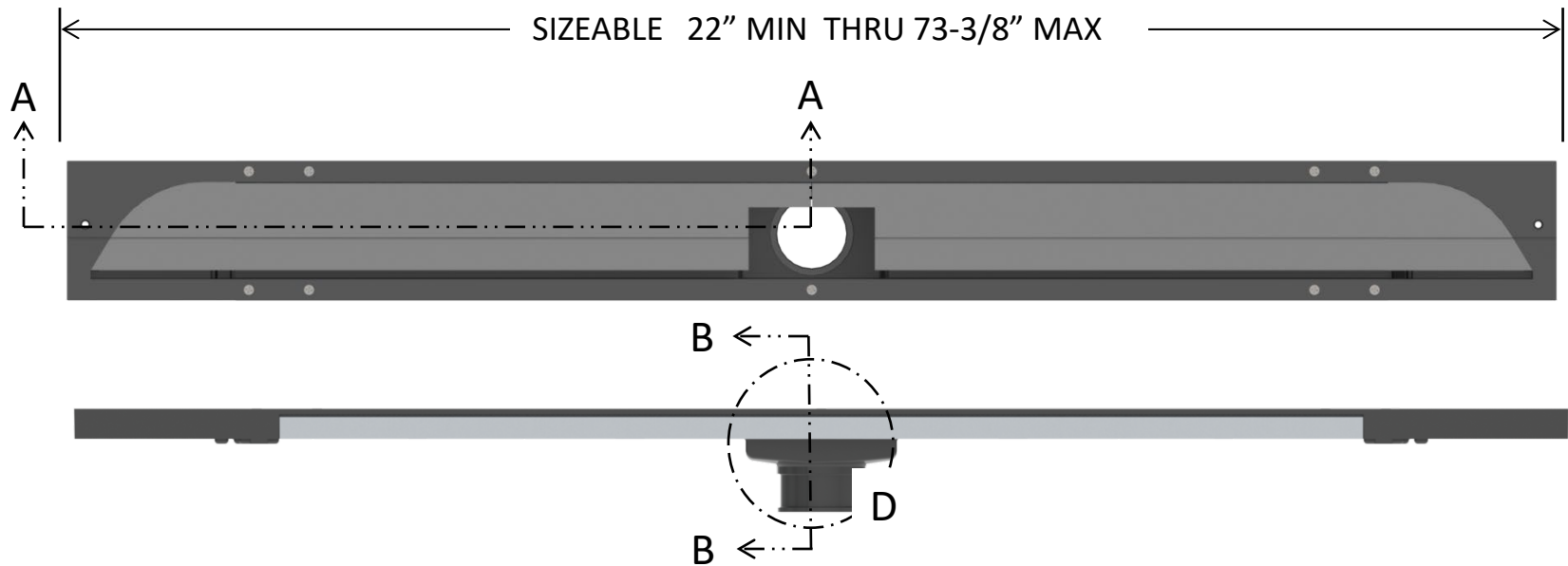


#	DESCRIPTION	QTY	MATERIAL
1	DRAIN BODY	1	ABS
2	LEFT END SWEEP	1	ABS
3	RIGHT END SWEEP	1	ABS
4	LEFT END SWEEP DECK	1	ABS
5	RIGHT END SWEEP DECK	1	ABS
6	MAIN CHANNEL RAIL (TALL)	1	ALUMINUM
7	DRAIN CHANNEL RAIL (SHORT)	1	ALUMINUM
8	ACCESS OPENING DEBRIS PLUG	1	PE
9	DRAIN CHANNEL DEBRIS PLUG	2	PVC

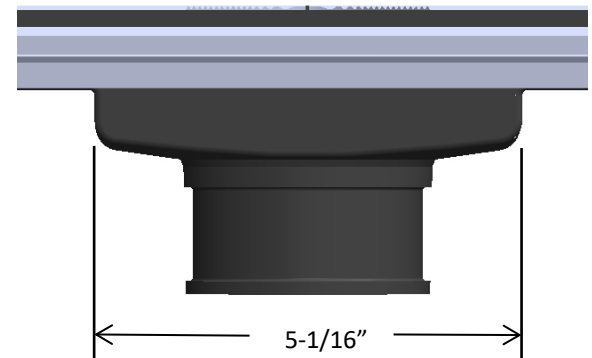
#	DESCRIPTION	QTY	MATERIAL
10	1/4"X 1" X 36" FOAM SPACER	2	XPS FOAM
11	SQUEEZE BOTTLE	1	PE
12	COUNTERSINK GUIDE	1	GALV. STEEL
13	SCREWS (#8x3/4" HI-Lo)	10	SS
14	1/8" DRILL BIT WITH COUNTERSINK	1	HSS
15	DRILL GUIDE	1	GALV. STEEL
16	COTTON SWABS	6	COTTON
17	TRANSITION RAMPS	8	ABS
18	FOAM TEST BALL	1	PU FOAM
19	INNI TRIM KIT 1/4, 3/8, or 1/2	1	MISC



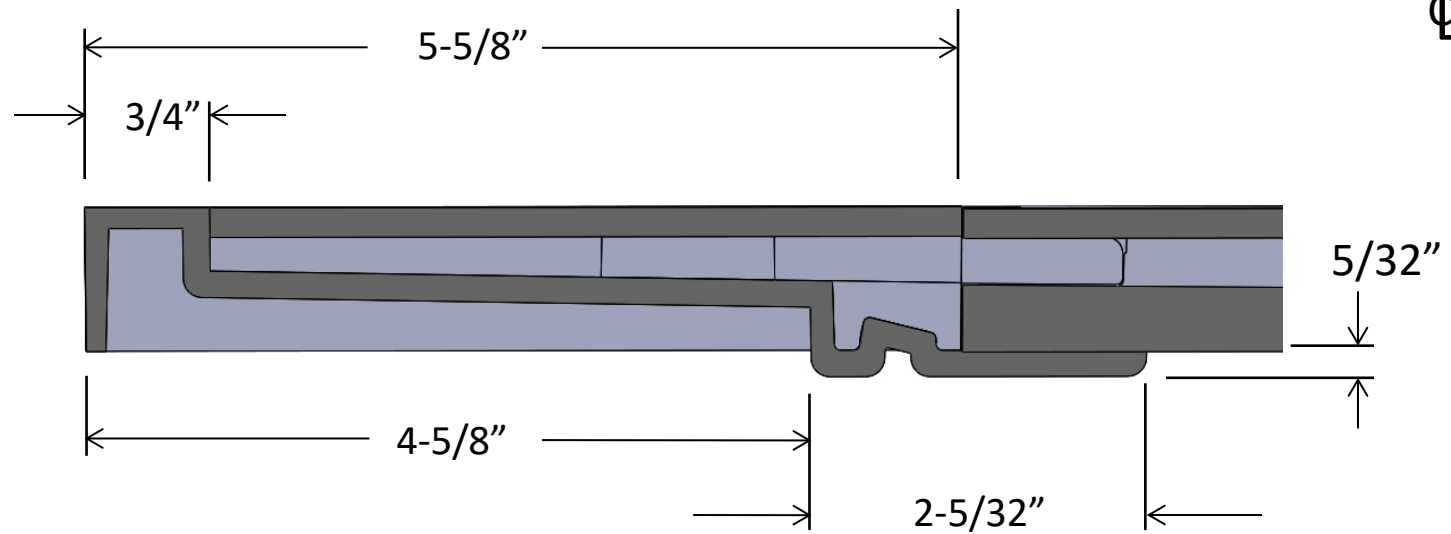
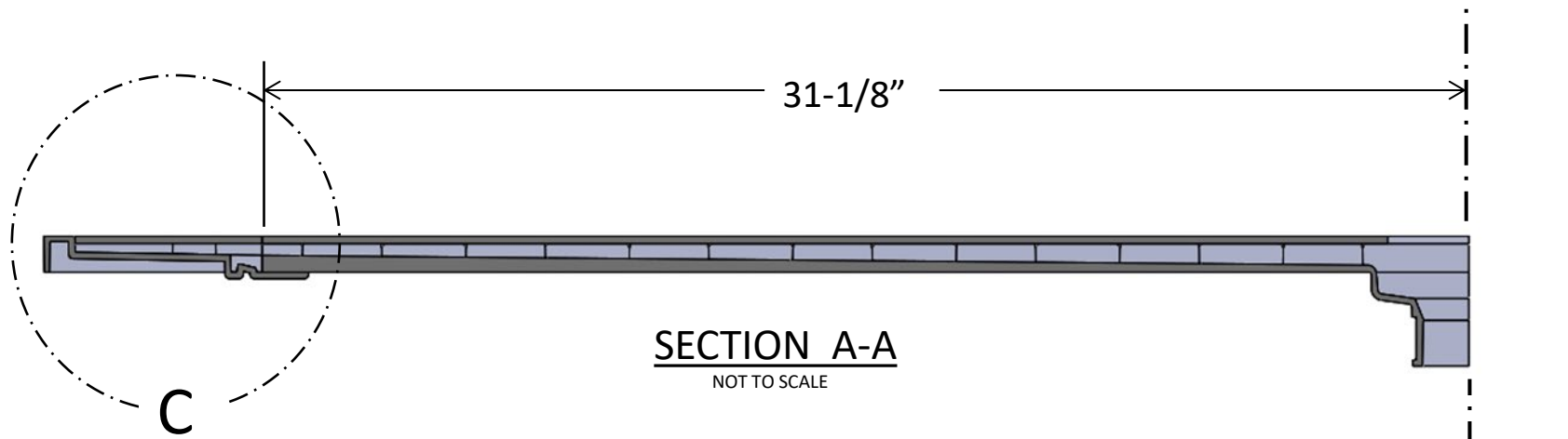
#	DESCRIPTION	QTY	MATERIAL
A	ACCESS COVER TRAY & FRAME	1	SS
B	TILE CUTTING TEMPLATE	1	PET
C	QUICK DRY ADHESIVE	1	CA
D	4" ABRASIVE CUTTING WHEEL	1	CB
E	IN-SIGHT TRIM	4	SS
F	IN-SHADOW TRIM	2	SS
G	FOAM BACKER ROD	1	PE FOAM
H	IN-SIGHT TRIM SPACER	2	PVC



SECTION B-B
NOT TO SCALE



VIEW D
NOT TO SCALE



VIEW C
NOT TO SCALE